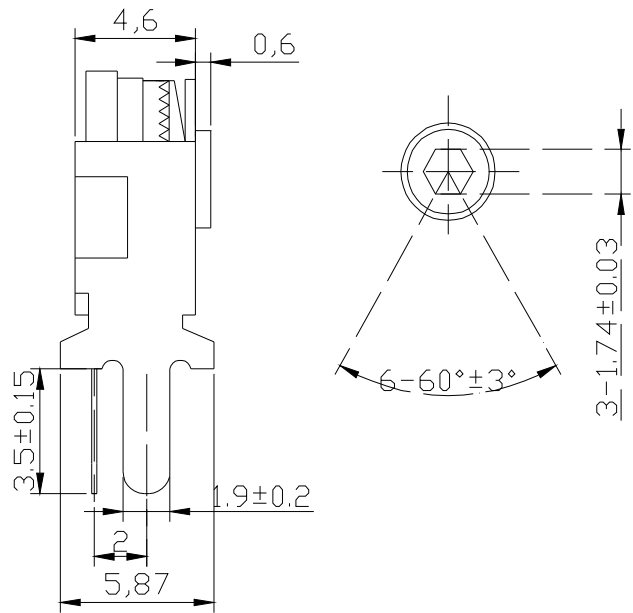
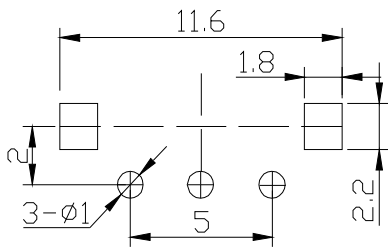
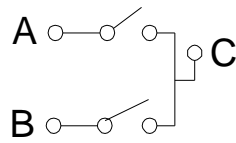


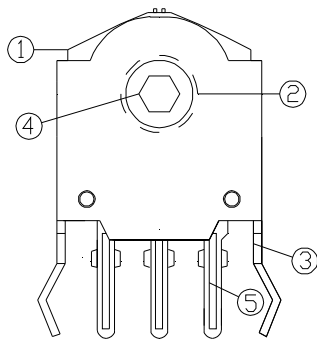
Printed circuit board mounting hole dimensions



Circuit diagram



UNIT:mm



ITEM	COMPONECO	MATERIAL ARTICLE
1	HOUSING	PA
2	CONTACT	SILVER PHOSPHOR BRONZE STRIP
3	FRAME	TIN OR COLD ROLLED STEEL
4	LEAD	PA
5	TERMINAL	BRASS STRIP SILVER CLOTHED

签字 Signature		日期 Date	C001-A13-**
设计 Design	江燕	2006-6-15	
校对 proofreader	孙建春	2006-6-20	
审核 Checker	张瑞安	2006-6-28	博瑞电子科技有限公司 BRIO Electronics Technology Co., Ltd.